

Eaton SB-1163-09 FGP

Catalog Number: SB-1163-09 FGP

Eaton B-Line series open frame racks, Red, Made from UL-94 VO material for flame resistance, Two-hole isolation pad

General specifications

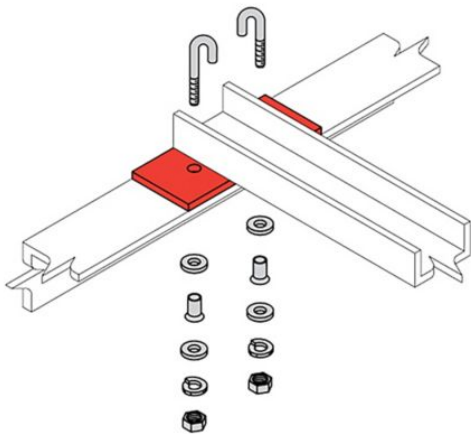


Photo is representative

Product Name	Catalog Number
Eaton B-Line series open frame racks	SB-1163-09 FGP
UPC	Product Length/Depth
799038011972	9.13 in
Product Height	Product Width
0.0625 in	2.13 in
Product Weight	Certifications
0.09 lb	Not Applicable

defaultTaxonomyAttributeLabel

Color

Red

Material

Polyester fiberglass

Model

Two-hole isolation pad

Size

9/16 in hole diameter

Resources

Catalogs

[network equipment rack and accessories](#)

Specifications and datasheets

[Eaton Specification Sheet - SB-1163-09 FGP](#)



Eaton Corporation plc
Eaton House
30 Pembroke Road
Dublin 4, Ireland
Eaton.com
© 2024 Eaton. All Rights Reserved.

Eaton is a registered trademark.

All other trademarks are property of their respective owners.



Eaton.com/socialmedia